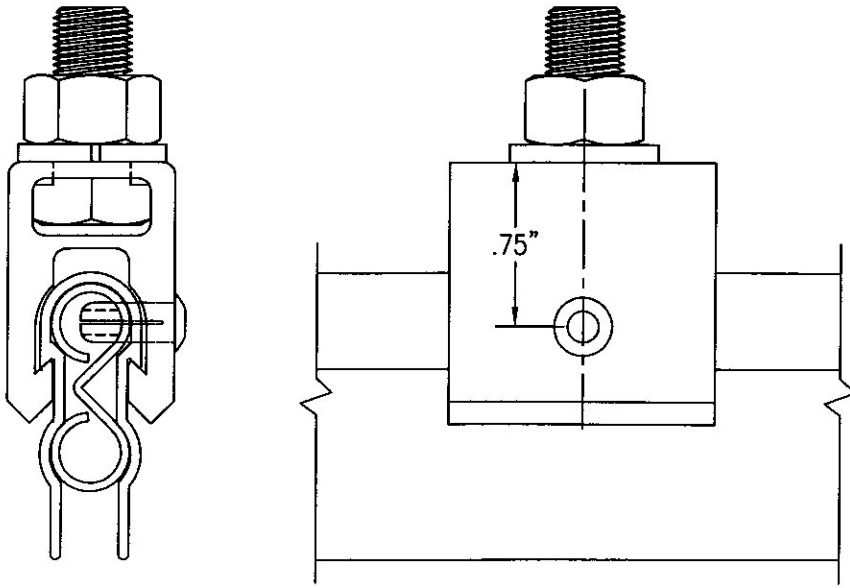


## INSTALLATION INSTRUCTIONS FOR NYLON ANCHOR HANGER ASSEMBLIES

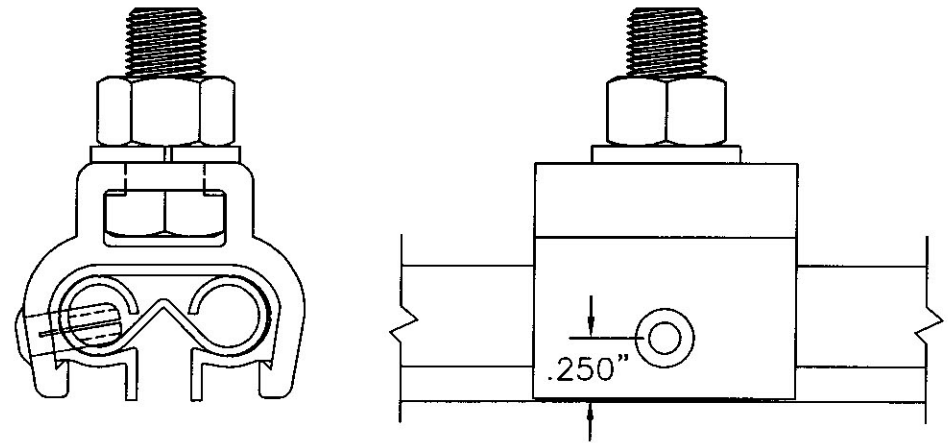
1. Snap the Conductor Bar assembly into the nylon anchor hanger.
2. Drill a 3/16" hole into the Conductor Bar using a the pre-drilled hole in the nylon anchor as a guide.
3. Insert the nylon insulating rivet into the hole through the nylon hanger and into the Conductor Bar. Tap the drive pin into the rivet (make sure that the drive pin is flush with the rivet's shoulder).

### IMPORTANT:

Begin with the Conductor run that is closest to the runway beam or support structure and install the anchor rivet in that bar before snapping the next bar into the hanger.



Universal 8-Bar



Inverted V-Bar



**Gleason Reel Corp.**  
600 S. Clark St, Mayville, WI 53050  
PH: 920-387-4120 | FAX: 920-387-4189  
[www.hubbell-gleason.com](http://www.hubbell-gleason.com)