



SERIES HH HOSE REELS

GENERAL PURPOSE INDUSTRIAL USE
MANUAL PULL-OFF, HANDCRANK REWIND

Choose reels designed for 1/2", 3/4" or 1" hose, Standard reels are supplied with EPR seals in the swivel joint, specify application when ordering if standard EPR is not acceptable. Pressure rating is that of the swivel joint and not that of the hose. Full flow shaft and swivel assure maximum product delivery. Hose is not included with reel, therefore the hose must be purchased separately and matched to reel for your specific application. The input fitting on the swivel joint is the same size as the output fitting on the reel spool.

HANDCRANK REELS FEATURE:

- Air, water, oil or grease duty
- Rugged steel construction
- High quality swivel joints designed with seals for each specific fluid application
- Manual pull off, handcrank rewind
- Spool locking pin acts as a holding brake to prevent spool from unwinding when not in use
- Locking pin also acts as an adjustable drag brake to control spool rotational speed during manual hose pull off
- Heavy duty mounting brackets
- Orange polyester baked-on finish

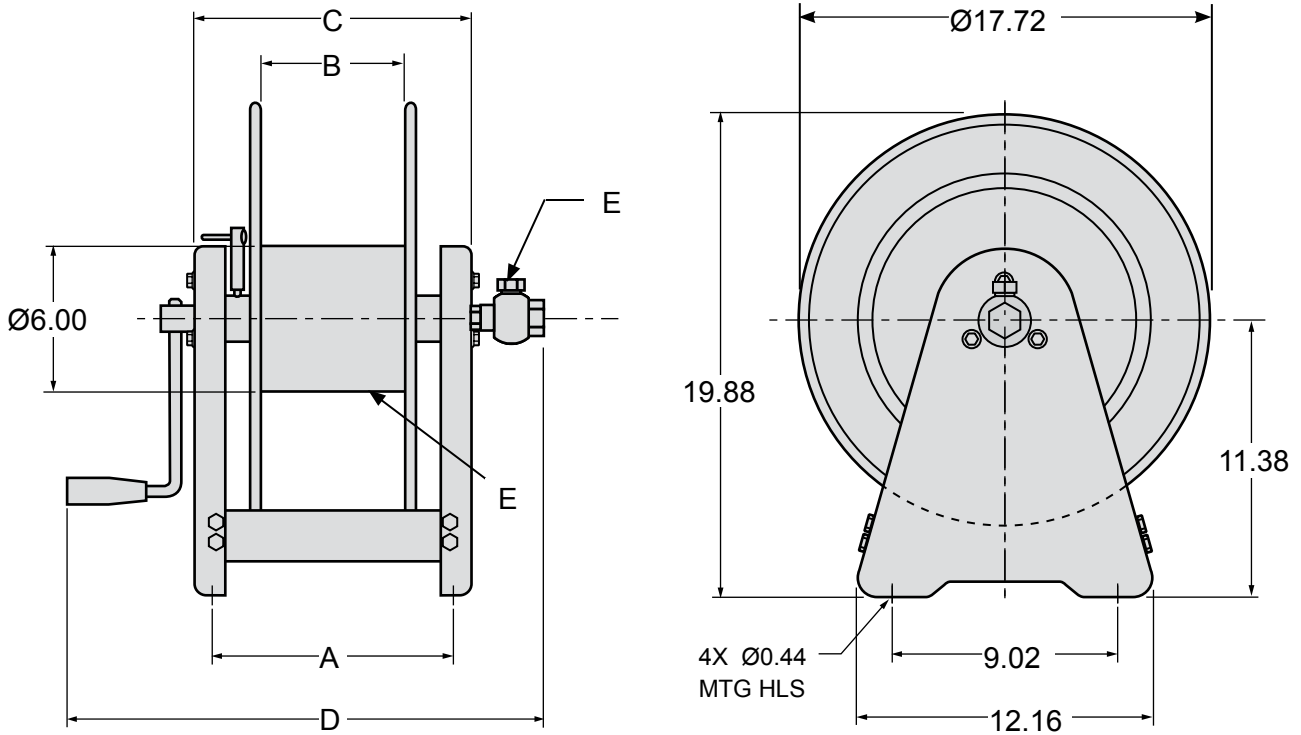


(Hose must be ordered separately.)

MODEL NUMBER	HOSE I.D. inch	HOSE O.D. inch	MAX PRESSURE psi	LENGTH feet	WEIGHT lbs
HH50100L	1/2"	27/32"	300 psi	100'	42
HH50200L	1/2"	27/32"	300 psi	200'	49
HH50300L	1/2"	27/32"	300 psi	300'	52
HH50400L	1/2"	27/32"	300 psi	400'	65
HH50100M	1/2"	27/32"	2000 psi	100'	43
HH50200M	1/2"	27/32"	2000 psi	200'	49
HH7550L	3/4"	1-3/16"	250 psi	50'	43
HH75100L	3/4"	1-3/16"	250 psi	100'	50
HH75100M	3/4"	1-3/16"	2000 psi	100'	53
HH100100L	1"	1-3/8"	200 psi	100'	58

SERIES HH HOSE REEL DIMENSIONS

All dimensions in inches. For millimeters, multiply inches by 25.4.



SERIES HH DIMENSIONS						
MODEL	A	B	C	D	E	Max. Pressure psi
HH50100L	9.75	6.00	11.25	19.00	1/2 NPT	300 psi
HH50200L	15.75	12.00	17.25	25.00	1/2 NPT	300 psi
HH50300L	21.75	18.00	23.25	31.00	1/2 NPT	300 psi
HH50400L	25.75	22.00	27.25	35.00	1/2 NPT	300 psi
HH50100M	9.75	6.00	11.25	19.00	1/2 NPT	2000 psi
HH50200M	15.75	12.00	17.25	25.00	1/2 NPT	2000 psi
HH7550L	9.75	6.00	11.25	19.00	3/4 NPT	250 psi
HH75100L	15.75	12.00	17.25	25.00	3/4 NPT	250 psi
HH75100M	15.75	12.00	17.25	25.00	3/4 NPT	2000 psi
HH100100L	21.75	18.00	23.25	31.00	1.0 NPT	200 psi



Gleason Reel Corp.
 600 South Clark St. • P.O. Box 26
 Mayville, WI 53050
 Phone: 920-387-4120
 Fax: 920-387-4189
www.hubbell-gleason.com