

GROUNDING and BONDING CABLES

Antistatic Cables prevent sparks from static electricity generated by movement and flow of flammable liquids. **Bonding between containers during liquid transfer and connecting drums to an earth ground are required by Federal and local codes.** Various clamps and terminals allow a wide variety of uses. All cables are 7 x 19 stranded steel. Insulated cables have Safety Orange jacket.

- Available in several lengths, insulated or non-insulated.
- Five types of end connectors available on all cables lengths and types.
- For longer reach or “Y”, connect several cables with 1/4” terminal ends.
- Stranded cable for maximum flexibility and conductivity.

Hand Clamp & Alligator Clip

Model No.	Cable Description.
GCSP-AH-03	3' Flexible Steel
GCSP-AH-05	5' Flexible Steel
GCSP-AH-10	10' Flexible Steel
GCSI-AH-03	3' Insulated Steel
GCSI-AH-05	5' Insulated Steel
GCSI-AH-10	10' Insulated Steel



Alligator Clip & C-Clamp

Model No.	Cable Description.
GCSP-AC-03	3' Flexible Steel
GCSP-AC-05	5' Flexible Steel
GCSP-AC-10	10' Flexible Steel
GCSI-AC-03	3' Insulated Steel
GCSI-AC-05	5' Insulated Steel
GCSI-AC-10	10' Insulated Steel



Hand Clamp & C-Clamp

Model No.	Cable Description.
GCSP-HC-03	3' Flexible Steel
GCSP-HC-05	5' Flexible Steel
GCSP-HC-10	10' Flexible Steel
GCSI-HC-03	3' Insulated Steel
GCSI-HC-05	5' Insulated Steel
GCSI-HC-10	10' Insulated Steel



Two Hand Clamps

Model No.	Cable Description.
GCSP-HH-03	3' Flexible Steel
GCSP-HH-05	5' Flexible Steel
GCSP-HH-10	10' Flexible Steel
GCSI-HH-03	3' Insulated Steel
GCSI-HH-05	5' Insulated Steel
GCSI-HH-10	10' Insulated Steel



Two Alligator Clips

Model No.	Cable Description.
GCSP-AA-03	3' Flexible Steel
GCSP-AA-05	5' Flexible Steel
GCSP-AA-10	10' Flexible Steel
GCSI-AA-03	3' Insulated Steel
GCSI-AA-05	5' Insulated Steel
GCSI-AA-10	10' Insulated Steel



Hand Clamp & 1/4" Terminal

Model No.	Cable Description.
GCSP-HE-03	3' Flexible Steel
GCSP-HE-05	5' Flexible Steel
GCSP-HE-10	10' Flexible Steel
GCSI-HE-03	3' Insulated Steel
GCSI-HE-05	5' Insulated Steel
GCSI-HE-10	10' Insulated Steel



Two 1/4" Terminals

Model No.	Cable Description.
GCSP-EE-03	3' Flexible Steel
GCSP-EE-05	5' Flexible Steel
GCSP-EE-10	10' Flexible Steel
GCSI-EE-03	3' Insulated Steel
GCSI-EE-05	5' Insulated Steel
GCSI-EE-10	10' Insulated Steel



Individual Connectors



C-Clamp only
Model No. GC-CEE

100 Amp Alligator Clip only
Model No. GC-ALG

Hand Clamp only
Model No. GC-PLR

Aircraft Clamp only
Model No. AGC-MOD

Round Grounding Plug only
Model No. AGP-01



STATIC DISCHARGE REELS

Ideal for a wide variety of grounding applications. Available with your choice of cable length and connector, all reels include spring rewind, centrifugal brake and ratchet lock. Cable is 7 x 7 stranded stainless steel with yellow polyester elastomer cover, 5/32" o.d. Reel has safety orange baked polyester finish.

Heavy-duty Static Discharge Reels

- OPEN SPOOL DESIGN
- CABLE LENGTHS TO 100 FT.
- SPRING REWIND with CENTRIFUGAL BRAKE
- RUGGED STEEL CONSTRUCTION
- CHOICE OF GROUNDING CLAMPS AND PLUGS



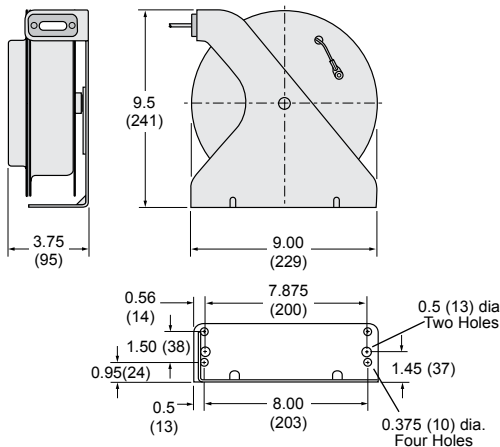
Static Discharge Reel with HAND CLAMP



Static Discharge Reel with 100 amp ALLIGATOR CLIP



Static Discharge Reel with Grounding Plug (Round M83413/4-1)



Series "OSD" Includes Cable Installed on Reel

Cable Length	Connector	Model Number
50'	Hand Clamp	OSD050-SS-YL-SG-C1
50'	Aircraft Clamp	OSD050-SS-YL-SG-C2
50'	Alligator Clip	OSD050-SS-YL-SG-AL
50'	Round Grounding Plug	OSD050-SS-YL-SG-P1
75'	Hand Clamp	OSD075-SS-YL-SG-C1
75'	Aircraft Clamp	OSD075-SS-YL-SG-C2
75'	Alligator Clip	OSD070-SS-YL-SG-AL
75'	Round Grounding Plug	OSD075-SS-YL-SG-P1
100'	Hand Clamp	OSD100-SS-YL-SG-C1
100'	Aircraft Clamp	OSD100-SS-YL-SG-C2
100'	Alligator Clip	OSD100-SS-YL-SG-AL
100'	Round Grounding Plug	OSD100-SS-YL-SG-P1

Enclosed Spool Series "SD"

SERIES "SD" FEATURES

- Automatic **E-Z PULL™** Rewinding
- Rugged Steel Construction
- Compact Enclosed Design
- Positive Ratchet Lock
- Lock On/Lock Off Switch
- Steel Cable Installed
- 100 Amp Universal Jaw-Type Grounding Clamp
- Safety Orange Polyester Baked-On Finish

Series "SD"

Includes Cable Installed on Reel

CABLE LENGTH ft. (m)	CABLE NOTES...	"Y" ft. (m)	WEIGHT COMPLETE lbs. (kg)	MODEL NUMBER
30 (9.0)	Single 7 x 7 Stranded Steel*	N/A	11 (5.0)	SD-2030
50 (15.0)	Single 7 x 7 Stranded Steel*	N/A	12 (5.4)	SD-2050
35 (10.5)	35' plus dual 15' for "Y" *	2 @ 15 (4.5)	13 (5.9)	SD-2050Y
50 (15.0)	Nylon Covered Cable**	N/A	12 (5.4)	SD-2050N
50 (15.0)	Orange, S.S. Cable***	N/A	12 (5.4)	SD-2050OS

* Static discharge reels are supplied complete with 3/32" OD steel aircraft cable. DC resistance is approximately one ohm per 50 ft. of steel cable.

** Nylon covered cable (1/8" OD) is an optional extra.

*** Stainless Steel cable covered with Orange Nylon jacket to 1/8" OD. Meets Military Grounding Spec. of 6.67 Ohms resistance per 75 ft. of cable.

